

Introduction:

My name is [REDACTED] chartered by the [REDACTED]. I first joined Boy Scouts of America as a Tiger Scout and ever since my first campout I have been interested in conservation and nature. In fact, the majority of my Scouting life has been focused on conservation. I have earned over 12 conversation-based Merit Badges since I became a Boy Scout. Merit Badges like: Environmental Science, Oceanography, Nature, Reptile and Amphibian Study, Insect Study, Fish and Wildlife Management, Forestry, Fishing, Public Health, Animal Science, Bird Study, Veterinary Medicine and Soil and Water Conservation. Through earning these Merit Badges I have learned how to be more careful of the environment and ways that I can make a difference improving the environment. For my Hornaday Project, I am making an osprey nest platform which I will construct at Vista Point on Jordan Lake. I am also making a large sign which will be approximately 11" x 17" that will provide information about the osprey. We will describe the nests, its eating habits, breeding, and behavior. I chose this project because, I have been going to Jordan Lake since I was a child. I noticed that a tree in the area where an osprey had nested, fell in a recent storm. I felt it would be important to build them a new home.

Project Name:

Vista Point William T Hornaday Conservation Osprey Nest

Describe the project you plan to do:

For my Hornaday Project, I am making an osprey nest platform which I will construct at Vista Point on Jordan Lake. I am also making a large sign which will be approximately 11" x 17" that will provide information about the osprey. We will describe the nests, its eating habits, breeding, and behavior. I chose this project because, I have been going to Jordan Lake since I was a child. I noticed that a tree in the area where an osprey had nested, fell in a recent storm. I felt it would be important to build them a new home.

How does this project promote the aims of William T Hornaday?

William T Hornaday was one of our countries leading figures in teaching people how to conserve wildlife and nature. Boy Scouts of America has played a huge role in educating young men how to conserve nature so that others may enjoy it. This project is needed because the osprey population has been going down due to pesticides. I also want to provide a safe and new nest for the ospreys who lost their nest in the storm. Also, I have learned most ospreys come back to their nests and I want them to be able to have a safe home to return to each year. I also want visitors to learn about and view the osprey so they will protect them in the future. I think William T Hornaday would have liked this project very much, because I will be not only be constructing a new home for wildlife that needs it but, I will also be teaching visitors how to appreciate and conserve the osprey.

How will this project show a long-term commitment to conservation?

For this project I will be using the highest quality materials to ensure this project will last a long time. I plan to use a treated telephone pole, aluminum mounting systems and weather-resistant fiberglass signage, all constructed to last up to 50 years. I know the longer this exhibit is around the more people I can impact and teach about conserving the osprey and nature.

Other than using long-lasting materials, I am committed long-term to maintaining this osprey exhibit should anything go wrong with the nest or the signage. I will also plan to lead conservation-focused talks about the osprey for visitors of Jordan Lake State Park. I would organize these conservation talks near the osprey exhibit on the weekends when the park is most busy. I want to have this project last for a long time so I can spread the conservation legacy of William T Hornaday.

As part of this project I will be writing the script for the talk I plan to give and I will put it in the final report. I will get recommendations about what the script should say. I will use the following outline to build my initial script:

1. Background
 - a. The first time I saw Osprey at Jordan Lake
 - b. Why I became interested in Osprey
 - c. Why I chose this project
2. The Project Beginning
 - a. Research on artificial Osprey Nests
 - i. Design
 - ii. Materials
 - iii. Labor
 - iiii. Construction
 - v. Installation
3. General Information About Osprey
 - a. Facts
 - b. Habitat
 - c. Nesting
 - d. Migration
 - e. Diet
 - f. Behavior
 - g. Conservation
4. Specific Information Osprey at Jordan Lake

Schedule:

For my Vista Point William T Hornaday Osprey Nest I would like to propose the following schedule. I will submit the project for final approval sometime in September of 2014 and complete the exhibit installation by June 2015.

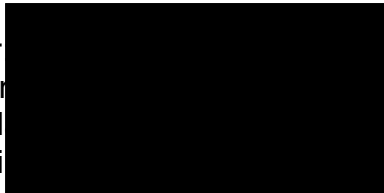
May 2014	Initial Meeting w/ Rangers at Jordan Lake
June 2014	Take "Before" Photos
July 2014	Draft Project Description/Benefits
August 2014	Initial Research
August 2014	Draft Project Details
September 2014	Submit Hornaday Project Plan to NC State Parks
September 2014	Hornaday Board Project Approval
November 2014	Research how to make and Install an Osprey Nest
November 2014	Discuss Research with Ranger
December 2014	Plan for Production of the Sign
January 2015	Complete writing the About the Nest and Life of the Osprey
February 2015	Discuss Research with Ranger
March 2015	Get permits to Install the Sign and the Osprey Nest
March 2015	Raise Funds for the Sign and Installation of Osprey Nest
March 2015	Prepare for Installing the Telephone Pole for Osprey Nest
April 2015	Prepare for Installing the Information Sign
May 2015	Install the Nest Platform on the Telephone Pole
May 2015	Install the Telephone Pole for the Osprey Nest at Exhibit Site
June 2015	Install the Information Sign for the Osprey Nest.

What group will benefit from the project?

The Jordan Lake Osprey population, the local wildlife, people who visit the Osprey Nest, as well as the Vista Point Recreation Area and Jordan Lake State Park.

Benefiting Organization: Jordan Lake State Park
Phone: 919-362-0586
Address: 280 State Park Road Apex, NC 27523

Project Advisors:
Organization Advisor
Conservation Advisor
Hornaday Advisor: M
Unit Leader: ASM Cli



My project will be a benefit to the group because:

This project at Jordan Lake State Park and the Vista Point Recreation Area by my contributing work, will benefit the visitors of the Vista Point area because they will learn more about the osprey, understand how to conserve the wildlife at Jordan Lake and more about nature. It will not only benefit osprey, it will benefit the wildlife surrounding the area, as the osprey play a significant role in the ecosystem of Jordan Lake.

I found out about the need for this project from the Audubon Society and they considered the need for this project a priority for Jordan Lake. I will research why the Audubon felt this project was a priority and put it in my final report. I will confirm with the Audubon Society that this project will help the osprey life at Jordan Lake. I will put any scientific information that supports the benefits and consequences this project in my final report, as well.

I want to provide a safe and new nest for the ospreys who lost their nest in the storm. Most ospreys come back to their nests and I want them to be able to have a safe home. I want visitors to learn about and view the osprey so they will protect them in the future. These are all benefits that William T Hornaday would want to see in any conservation project.

Present Conditions:

At present, the osprey currently do not have a nest due to a recent storm that knocked the nest out of a local tree. The nest was located near the boat ramp at Vista Point. This area has a lot of visitors in the summer. The osprey that lived there played a significant impact on everyone that visited Vista Point. To see osprey in their nest is breathtaking.

Project Details including Leadership, Materials, Supplies, Tools, Permits and Permissions, Costs Estimates, Funding, Phases, Schedule, Logistics, Safety, Planning and Photos are attached following this page.

Leadership:

I will get my Troop members to help put in the signs and I will have to call a telephone company to put in the pole for the nest. I will also work with a State Park Ranger and a volunteer to design and write the signs according to the state specifications and approvals.

First, I feel that one of the difficult things about my Hornaday Project will be getting the telephone or utility company to install the main support pole. My plan is to first contact a telephone or utility company to donate and install the pole. If I can't get the installation and pole donated, I will have to raise the money to pay for the installation and pole from my friends and family or request a conservation grant. Second, I feel another difficult thing will be working with the state to make the signs. I have heard approvals by the state can take a long time, so I have allowed plenty of time in my schedule to work with the Rangers on getting the state approval of the signs.

Materials:

I have researched the plans online and the Ranger has emailed me a couple of state approved plans. Based on what I found out, I will need a variety of building materials. For the Osprey nest: one (1) 30ft telephone pole, one (1) 4ftx4ft shipping pallet, lumber to build a 10in high retaining fence around pallet, four (4) metal perch braces, wire, nails, bolts, wire cloth, red and white cedar branches and aluminum flashing. For the sign: one (1) 11inx17in prefabricated metal sign brace and two (2) 4ft long 4inx4in lumber.

Supplies:

I will need to provide supplies for the project, such as water, gloves, food for helpers, fuel, and safety glasses.

Tools:

Hammers, screwdrivers, wrenches, drills, saw, post hole diggers and an auger.

Research, Permissions and Permits:

I will research why the Audubon felt this project was a priority. I will confirm with the Audubon Society that this project will help the osprey life at Jordan Lake. I will put any scientific information that supports the benefits and consequences this project in my final report.

I will need to get several permissions and permits in order to build the osprey nest for my Hornaday project. First, I will need to go to the North Carolina State Park Rangers to get their permission to do the project. I will also need their permission for the final positioning of the Osprey nest. I will need approvals on what the sign is saying and where it will be placed in the state park. I will get State Park Audubon Ranger and Audubon Society recommendations about what should be on the sign and the best nest design for attracting and keeping osprey. I plan to try to get these recommendations approved but, in the end the State of North Carolina will have all final approvals of what ends up on the sign and the final nest design. I think that it will take several weeks to get the permits and approvals finalized.

Cost Estimate:

Materials \$1050.00	Materials include: one (1) 30ft telephone pole (\$800), one (1) 4ftx4ft shipping pallet, lumber to build a 10in high retaining fence around pallet, four (4) metal perch braces, wire, nails, bolts, wire cloth, red and white cedar branches and aluminum flashing. For the sign: one (1) 11inx17in prefabricated metal sign brace (\$150) and two (2) 4ft long 4inx4in lumber. I am going to ask the Audubon Society to help with funding and the North Carolina State Parks to help donate material for the osprey nest. I am going to ask a telephone or utility company to donate a telephone pole. I have confirmed the actual costs with a local utility pole installation company. If I can't get materials or funding donated, I have confirmed a family donation to purchase materials.
Supplies \$200.00	Supplies include: water, gloves, food for helpers, fuel, and safety glasses. I will get the funding for supplies from my family members.
Tools \$0.00	Tools include: hammers, screwdrivers, wrenches, drills, saw and post hole diggers. My family will loan me the required tools.
Other \$1,000.00	Other includes: auger truck rental (\$1000). I am going to ask a telephone or utility company to donate the equipment rental and professional installer required to put in the telephone pole (usage of a telephone pole installation auger truck). I have confirmed the actual costs with a local utility pole installation company. I have confirmed a family donation to purchase rental usage of the truck, if I can't get auger truck rental donated. I will get the funding for all other materials from my family members.
\$2,250.00	Total Estimated Costs

Funding:

I will not be asking anyone other than my family for funding. I will be asking companies to donate materials and rental equipment.

I will be asking for the following materials to be donated, with the required two-deep adult leaders in attendance or a family member: one (1) 30ft telephone pole, one (1) 4ftx4ft shipping pallet and four (4) metal perch braces. I am going to ask the Audubon Society and the North Carolina State Parks to help donate materials for the osprey nest. I am also going to ask a utility company to donate a telephone pole, equipment rental and the professional installer required to put in the telephone pole. I have confirmed the actual costs (\$1800). If I can't get materials donated, funding for materials will come from my family.

I have a signed and approved Council Fundraising Application, and no contracts will need to be signed during the project for fundraising.

Logistics:

I will use my troop's trailer to bring the tools, sign, nest and materials to the site. In order to haul the telephone pole, I will ask a telephone or utility company to transport and install the pole and platform.

Safety Issues:

Before I start anything on the project I will warn my volunteers of any hazards that might happen during the project construction and installation. There are not many hazards that are possible during my project research and planning.

During the construction of the sign and the nest, I will make sure they wear protective eyewear, gloves and proper footwear. Adults will be the only people allowed to use the power tools.

During sign installation, I will make sure any volunteer digging the post holes are wearing protective eyewear, gloves, proper footwear and non-loose fitting long pants and shirts. I will provide everyone with water, insect repellent and sunscreen. I will make all volunteers know how to identify poisonous snakes and plants in the area. Adults will be the only people allowed to use the power tools.

During Telephone Pole Installation, I will need to make sure that the phone company is properly insured to install the pole. All Scouts will need to stand back and just observe while the telephone company is installing the pole and platform for the osprey.

We will follow all BSA Youth Protection Guidelines and I will bring a copy of the Guide to Safe Scouting to the project workdays. I will confirm First Aid kits are on site the entire time.

Project Planning:

Step 1: Research

Research the design of the osprey platform for the specific requirements. Learn how to make and how best to install an osprey nest. Research the telephone companies to locate the best company to do this job. Study the best locations for the sign and nest. I will get recommendations from the Audubon Society about what should be on the sign and the best nest design for attracting and keeping osprey. Planning for the production of the sign.

I will research why the Audubon felt this project was a priority. I will confirm with the Audubon Society that this project will help the osprey life at Jordan Lake. I will put any scientific information that supports the benefits and consequences this project in my final report.

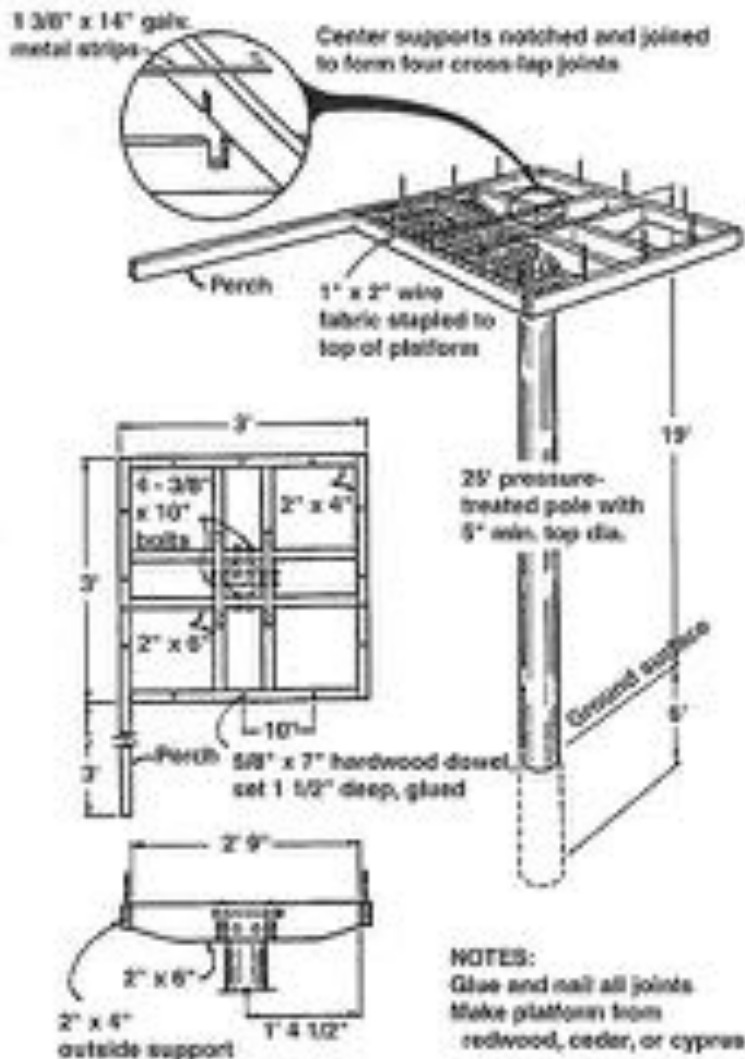


fig 1 Example design for the osprey nest construction

Step 2: Design

I plan to work with a professional writer to research and write the words on the sign about the osprey nest and the life of the osprey. I will get State Park Ranger and Audubon Society recommendations about what should be on the sign. I plan to also put information about the nest design and why it is good for the Osprey. I plan to try to get these recommendations approved but, in the end the State of North Carolina will have all final approvals of what ends up on the sign.

I will work with a professional designer to design the sign using the design standards set by the State of North Carolina for State Park signage.

I will get proper approvals and permits to install the sign.

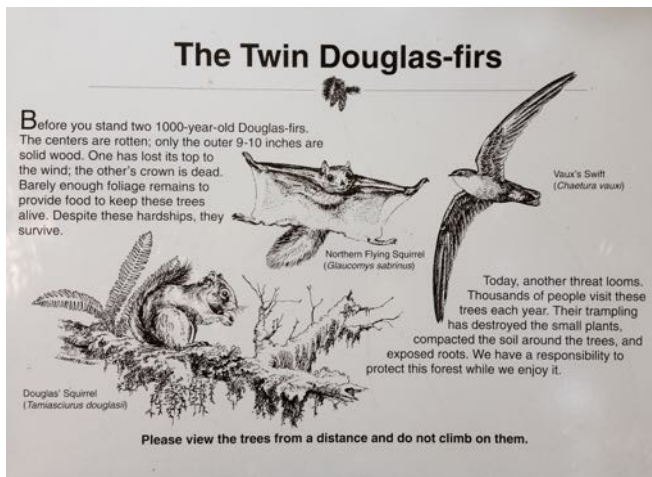


fig 2 Example of the type design style for osprey sign

Step 3: Production

Raise the funds for the sign and the installation of the osprey nest. Get the materials to make the osprey platform. Make the osprey platform off-site (see fig 1).



fig 3 Example of aluminum frame system for mounting the osprey sign

Step 4: Site Preparations

Prepare for installing the telephone pole for the osprey nest. Prepare for installing the information sign for the osprey nest.

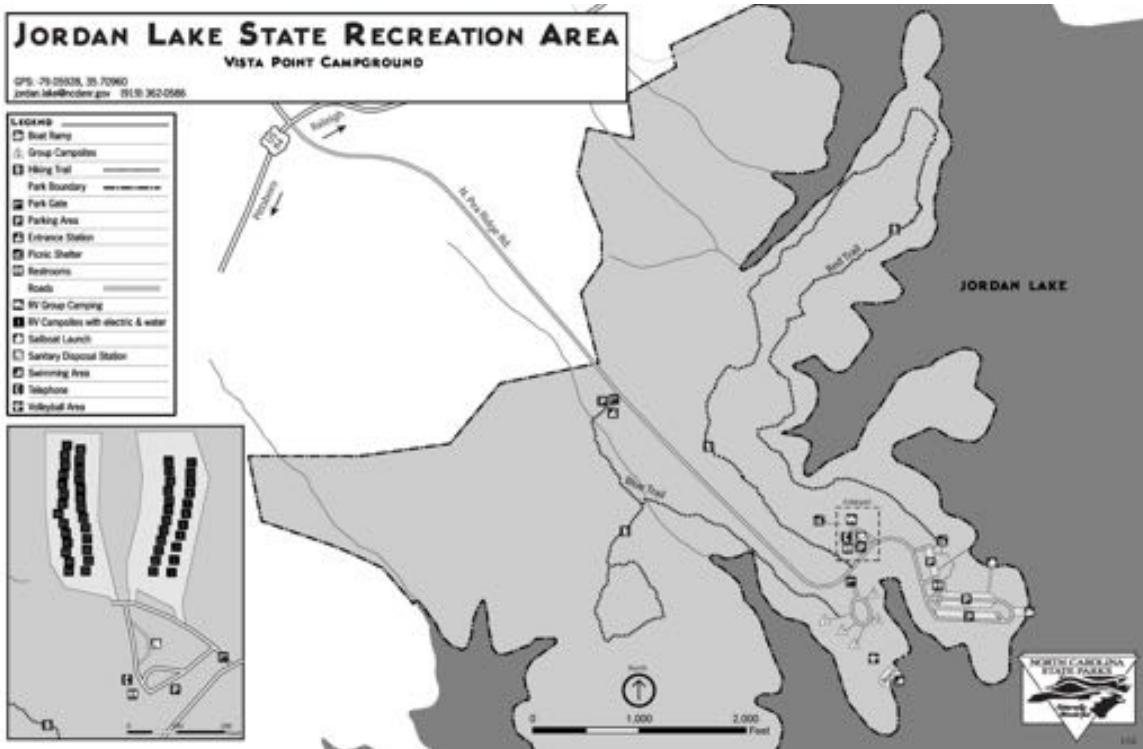


fig 4 Map of Jordan Lake State Park Vista Point

Step 5: Installation

Install the nest platform on the telephone pole. Install the telephone pole for the osprey nest (see fig 1). Install the information sign for the osprey nest (see fig 5 - 6 below).

Directions for building sign:

1. Cut 4x4 treated piece of wood 54 inches long with one of the ends at a 45 degree angle,
2. Drill a $\frac{3}{4}$ inch hole for anchor bolt in 4x4 post 6" from the flat bottom,
3. Bolt signage-mounting system to the 45-degree angle side of post.
4. Bolt signage panel to the mounting system.

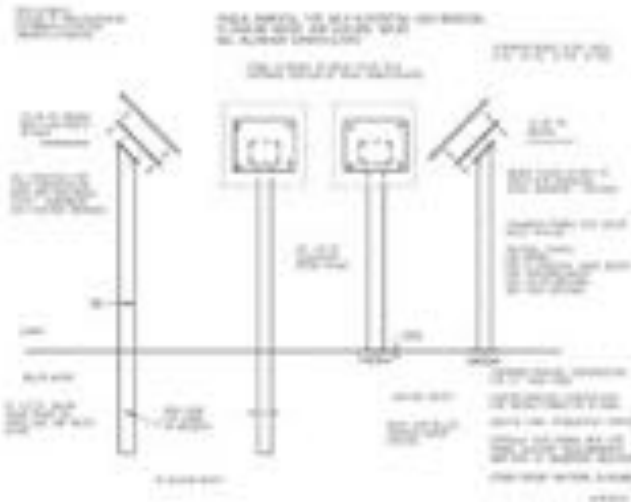


fig. 5 Connecting panel to mounting system and post

- Directions for installing the signpost:**
1. Dig a hole 24 inches deep and 12 inches wide with a posthole digger,
 2. Put anchor bolt through drilled hole,
 3. Put signpost into hole,
 4. Level sign,
 5. Place Rocks and gravel into hole around sign post,
 6. While keeping the sign level, compact soil around signpost.

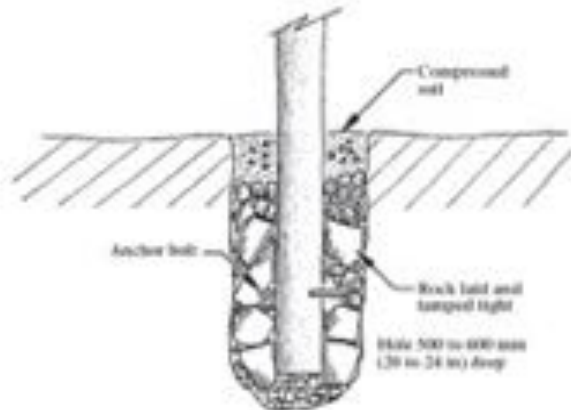


fig 6 Diagram of post installation

Volunteers Needed:

I plan to use volunteers and a professional telephone installer to complete my project. The duties and number of volunteer hours are noted below:

<u>Job</u>	<u># of Volunteers</u>	<u>Est Hours</u>
Project Planning	4	120
Research Supervision	0	56
Research	1	25
Writing	1	20
Graphic Designer	1	12
Printing Supervision	0	6
Sign Assembly	2	8
Site Preparation	4	24
Post Holes	3	6
Sign Installation	3	10
Nest Assembly	3	16
Nest Installation	3	6
Nest Telephone Pole Install	3 (professional)	12
TOTAL EST HOURS		321

Before Photos:



Walking Osprey Nest Site Location at Vista Point with my Conservation Advisor, Jim Trostle



Osprey Nest Site Location



Information Sign Location

Endorsements and Actions for the William T. Hornaday Badge Proposal

This concept was discussed with my Unit Leader on **August 6, 2014:**
Scoutmaster [REDACTED]

Unit Leader Approval	
I have reviewed this proposal and discussed it with the candidate. I believe that it Scout understands what is involved in this project being Hornaday worthy, what to do, and how to lead the effort. I also confirm that this applicant holds the rank of first class or is a Venturer.	
Signed:	Date:

This concept was discussed with the following representative of the group that will benefit from the project: **Ranger** [REDACTED]

Beneficiary Approval	
This project will provide significant benefit to conservation, and we will do all we can to see it through. We realize that funding on our part is not required, but we have informed the Scout of financial support (if any) that we have agreed to. We understand any fundraising he/she conducts will be in our name and that funds left over will come to us. We will provide receipts to donors as required.	
Signed:	Date:

This concept was discussed with the following Conservation Advisor: **Ranger**
[REDACTED]

Conservation Advisor Approval	
I acknowledge that I have knowledge about the appropriate conservation practices specific to this project category in order to advise this Scout. I have read the Occoneechee William T. Hornaday Awards Guide and agree to work closely with the applicant named in the design and execution of the required project. I believe that it provides impact worthy of a Hornaday Badge service project and understand that I will serve as the pre-approval person for the final Hornaday application.	
Signed:	Date:

This concept was discussed with the following Hornaday Advisor: [REDACTED]
[REDACTED]

Occoneechee Hornaday Awards Coordinator Approval	
I have reviewed this proposal and discussed it with the candidate. I believe that it could provide impact worthy of a Hornaday Badge service project, and that it will involve the expected planning and development. My signature authorizes the Scout to begin working on his/her Hornaday project.	
Signed:	Date:

Introduction to my Conservation Advisor

Name: Ranger [REDACTED]

Title/Conservation Affiliation: Lead Interpretive and Education Ranger, North Carolina State Parks and Board of Directors, Audubon Society

Email Address: [REDACTED]

Phone Number: [REDACTED]

Expertise: Please see the attached detailed letter for Ranger McMurray's experience as a conservationist for the North Carolina State Parks.

Introduction to my Conservation Advisor

Name: [REDACTED]

Title/Conservation Affiliation: President, Audubon Society

Email Address: [REDACTED]

Phone Number: [REDACTED]

Expertise: Graduated from East Tennessee State University with a BS in Environmental Health in 1976. Worked for the Texas Air Control Board for 10 years. Also, worked for the U.S. EPA in air pollution control for 27 years. Retired in 2013.

Current President of the New Hope Audubon Society, serving Chatham, Durham, and Orange Counties. Board of Directors for the Eno River Association, a land trust organization supporting the preservation of the Eno River and surrounding areas. And, Pastoral Council for St. Thomas More Catholic Church in Chapel Hill.

**William T Hornaday Award Conservation Advisor
Letter of Agreement**

Conservation Advisors Name: [REDACTED]

Organization: Jordan Lake State Park

Position/Job Title: State Park Ranger, Audubon Society Director

The purpose of this letter is to ensure the proposed Conservation Advisor understands the expectations and time commitment of the position. Being asked to serve as the Conservation Advisor should be considered an honor. Please ensure you understand the requirements and commitment as your guidance will directly impact the Candidates understanding of the conservation need and the quality of the project.

The Conservation Advisor must be a conservation or environmental professional (usually with a degree or advanced degree in one of the natural sciences) or qualified layperson in the field that this Scout's project addresses. The Conservation Advisor does not need to be familiar with Dr. Hornaday's work, the Hornaday Awards, or the programs of the Boy Scouts of America.

The role of the Conservation Advisor is to be the guide and catalyst for the Candidate through the transformation of a mere idea to an effective action that will actually make a difference to the environment. The Conservation Advisor will guide the Candidate through the selection, research, planning, and accomplishment of the Hornaday project. An important part of this role is to help the Candidate realize that solutions to conservation problems are not always black and white, but shades of gray.

The Conservation Advisor's knowledge and professionalism is needed to help teach the Candidate how the forces of nature and the interaction among species, along with the political and social influence of man, often cloud what may be perceived as a clear solution to an environmental challenge. The Conservation Advisor provides the knowledge base and experience guiding the Candidate to conduct his/her own research and project design. Depending on the Hornaday Award and project(s) chosen, the process often takes 6 months to 1.5 years to complete.

Conservation Advisors are encouraged to read the Occoneechee Council Hornaday Awards Guide to learn more about the awards and the Candidates requirements to earn this prestigious award.

By signing this letter, the Conservation Advisor agrees to partner with and mentor the Candidate through the completion of their Hornaday Project, providing the guidance and support outlined above. The Occoneechee Council Conservation Committee would like to thank you in advance for your commitment to this youth and to the Hornaday program.

Ranger [REDACTED]

Signature

Phone Number

Date

After Photos:



Osprey Nest being installed by Duke Energy



Osprey Nest and Interpretive Sign installation complete



Close-up of the Osprey Nest Interpretive Sign

EXECUTIVE SUMMARY

Conservation Need/Problem Addressed:

Detail what the problem is which the project aims to fix, prevent, or minimize.

The problem was that a natural osprey nest that I had observed for years was destroyed in a local storm. This project will give the ospreys a new home.

Project Overview:

Outline the project planning. Summarize what was done during the project and when, who did it, how it was done and why (be very thorough on the why).

The project planning included the following steps: research on the osprey nest and habitat;; contact the people that I will need to complete the project (troop members, Duke energy, sign writer and designer possible donors of materials); get permits and approvals for pole placement and sign; build and install the nest and sign.

Project Leadership:

Summarize how the project was implemented. managed, and what leadership you provided during the project.

I implemented the plan by getting multiple people to help with this project, and I managed them through constant communication and I provided leadership through leading these people to complete each of the tasks that I had given them.

Project Results:

Summarize your evaluation of the project results.

In my opinion, this project fixed the problem of the ospreys not having a nest. We made them a new home and kept it in the same area so that they can return as they have in the past. I also provided an informational sign so that everyone could understand the osprey and continue to conserve this wildlife for the future.

DETAILED REPORT

Benefiting Agency/Organization:

Who is the Land Owner/manager and where the project was completed?

There are several beneficiaries of this project: The Jordan Lake Osprey population, the local wildlife, people who visit the Osprey Nest, as well as the Vista Point Recreation Area and Jordan Lake State Park represent the organizations that will be benefiting from this project.

Benefiting Organization:

Jordan Lake State Park Phone: 919-362-0586

Address: 280 State Park Road Apex, NC 27523



Conservation Need/Problem Addressed:

Detail what the problem is which the project aims to fix, prevent or minimize.

The problem was that a natural osprey nest that I had observed for years was destroyed in a local storm. For my Hornaday Project, I aimed to reconstruct the osprey nest platform in the same area at Vista Point on Jordan Lake. I believe this nest will prevent the local osprey from leaving this area and I look forward to seeing them in the spring. I also wanted future visitors to learn more about the osprey so I made a large sign that provides information about the osprey so that others will appreciate the osprey and continue to be concerned about their future habitats in the area

Project Description:

Provide the Who, What, When, Where and How of the project.

First, I had to research how to make an osprey nest and I needed to get to know more about the ospreys to know where to place the nest and what information to put onto the informational sign that would sit near the platform so people could learn more about the osprey. The second thing, I had to do was call different service companies to see if I could get a 45 feet pole donated and or installed. I also met with a writer to write the context of the information on the sign. We had a meeting and I gave him my outline of what to write about to put on the sign. Next I had to get approval from the ranger for getting the pole delivered to Vista Point to await installation. Then I had to contact the donor of the pole, Duke Energy to deliver the pole to Vista Point and put it in the field somewhere out of view. After that I had to go to Vista Point and get exact measurements on the pole. Next I contacted members of my troop to ask if they could come help build the osprey nest. I got 6 members of my troop including me to help build the nest. Then I had to get the rangers approval on the context on the sign and contact a designer to create the design for the sign. When he was done with the design, I had to get the rangers approval on that and I ordered the sign in a special weather-resistant panel that would last. After that I contacted Duke Energy to get a date set up for installing the nest to the pole and putting the pole in the ground. Once the date was setup. I asked some of the same troop members who built the nest to come and help install the nest. Then on the agreed date we went to install the pole and I had 4 troop members including me helping out this workday. Lastly, the sign that I ordered sign came in and I got one friend from the troop and my brother to help dig out a hole that had been previously dug by the auger truck and put the sign in the ground.

I used the following step-by-step process to complete the Hornaday Project:

1. Research several Osprey nests that I could make as well as facts about the Osprey that I could use for the sign.
2. Call companies to see if could get donations and or installation of the pole.
3. Meet with a writer to discuss the information for the sign and have him write the context of the sign based on the information that I provided.
4. Get permits and approval to install the post and sign on state property.
5. Contact donor of pole to get it delivered to Vista Point.
6. Get context of sign approved by Ranger and get the designer to complete final design.
7. Measure the pole and begin building the nest according to the design and pole measurements.
8. Complete design of sign and get approval of rangers then order sign made with weather-resistant panel.
9. Install the nest on the pole and place the pole in the ground at Vista Point.
10. Dig sign hole and install sign at Vista Point work site.

The following materials need to be borrowed or donated.

Item	Usage	Qty	Responsibility
Water	Safety	16 p/day	Dylan West
Food	Safety	3	Janine West
Snacks	Safety	16	Janine West
Gloves	Safety	8	Dylan West
Safety Glasses	Safety	8	Dylan West
Fuel	Travel	8	SM Robert West
Saw	Construction	1	SM Robert West
Hammers	Construction	2	Ryan Candelaria
Screwdrivers	Constrcution	2	Trevor Vook Ryan Candelaria Jeff Powell
Drills		2	Trevor Vook Dallas West
Wrench	Construction	1	Trevor Vook Ryan Candelaria
Post Hole Shovel	Installation	2	Dallas West Lex Parker
Shovel	Installation	2	Dallas West Lex Parker
Auger Truck	Installation	1	Utility Workers
Drill	Installation	1	Utility Workers
40ft Utility Pole	Installation	1	Utility Workers

The following materials were purchased.

Item	Usage	Qty	Cost	Total
Weather Resistant Panel	Interpretive Sign	1	\$225	\$225
Best-Ex Mounting System	Sign Mount	1	\$194	\$194
4x4x10 Treated #2 Lumber	Sign Post	1	\$10	\$10
6"x3/8" Stainless Bolt	Bolt	2	\$5	\$10
3/8" Lock Washer x5	Washer	2	\$1	\$2
1/2"x6" Steel Rebar	Anchor	1	\$2	\$2
Fencing	Nest	1	\$20	\$20
2x4x10 Treated Wood	Nest	2	\$5	\$10
2x6x10 Treated Wood	Nest	2	\$7	\$14
4x4x6 Treated Wood	Nest	2	\$6	\$12
Aluminum Flashing	Nest	1	\$23	\$23
Weather Strip	Nest	1	\$3	\$3
Mounting Brackets	Nest		\$85	\$85
Nuts and Bolts	Nest		\$10	\$10
TOTAL				\$636

Project Conception:

Include where the idea for the project originated and why you chose this specific project over any others considered. List other projects considered.

This project originated when I was discussing possible Eagle projects with the rangers at Jordan Lake. I considered some of their other suggestions, but the osprey nest interested me the most. They suggested, building a bridge, building a couple of benches and building informational signs around the park. I chose this project over the others because I felt that it would be more interesting and meaningful.

Research, Planning and Design:

Provide a summary of research, investigation, and study conducted.

First, I had to research how to build an osprey nest. I looked on the internet and found a couple of websites with osprey nest instructions. One that was particularly helpful was The Peregrine Fund. I also had to research the general information about the osprey habitat, nesting, migration, diet, behavior and conservation of the osprey for the future. I had to visit the site with rangers to determine the best location. I designed the project according to the plans that I found on the internet and to the specifications that were approved by the Audubon Society and State Park Ranger.

Evaluation /Environmental Improvement:

Describe the immediate effect/benefit of the project, expected long term benefit, and any limitations encountered affecting the change.

The immediate benefit is that the osprey will have a new home in the spring mating season of next year. The long term benefit is that this new home will help to conserve the osprey for the future. There were no limitations encountered that would affect the change. It is my hope that the osprey population will grow in the area.

Project Influence:

Describe how you involved others, what educational aspect was provided through the project.

This entire project was about using the talents of others as a team. The educational aspects that were provided through this project is that the informational signs will teach visitors about the osprey and how to care about their future conservation.

Project Leadership:

Describe how the project was implemented, managed, and what leadership you provided to others during the project.

I implemented the plan by getting multiple people to help with this project, I got Duke Energy to help with delivering and installing the pole. I used a professional writer to write the context of the information sign. I found a professional designer to create the design for the information sign. I utilized members of my troop to help with building the nest and to help install the nest to the pole. I also managed everyone by constantly emailing and calling them and updating them on any changes or any information they needed. I provided leadership in this project by contacting multiple people to do different tasks that needed to be done in order to finish the project. I organized the plan of action and provided for safety. When something went different from the plan, I remained focused and found a solution that would keep the project on task.

I led the following volunteers and a professional telephone pole installer to complete my project. The duties and actual number of volunteer hours are noted below:

<u>Job</u>	<u># of Volunteers</u>	<u>Hours</u>
Project Planning	4	200
Research Supervision	0	64
Research	1	12
Writing	1	16
Graphic Designer	1	12
Printing Supervision	0	4
Sign Assembly	2	4
Site Preparation	2	6
Post Holes	2	2
Sign Installation	4	4
Nest Assembly	5	20
Nest Installation	8	16
Nest Telephone Pole Install	3 (professional)	6
TOTAL HOURS		346

Project Commitment:

Demonstrate continued commitment to this project?

I demonstrated continued commitment to this project by using the highest quality of materials that will last a long time. I used treated lumber and water resistant fiberglass for the sign. I will also maintain the sign and nest in the future if anything should go wrong with it. I will also visit the site to see how the osprey are doing each spring. I would be happy to organize conservation talks near the site to inform people about the osprey and conservation of the osprey.

Project Completion:

This project was successfully completed on _____

This project was successfully completed according to the following representative of the group that will benefit from the project.

Ranger 

Approval

Phone Number Date

This project was successfully completed according to my Conservation Advisor.

Ranger 

Approval

Phone Number Date

This project was successfully completed according to my Hornaday Advisor.



Approval

Phone Number Date